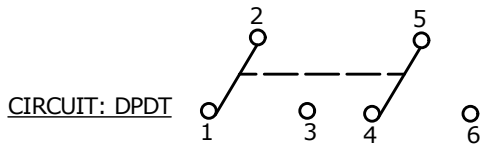
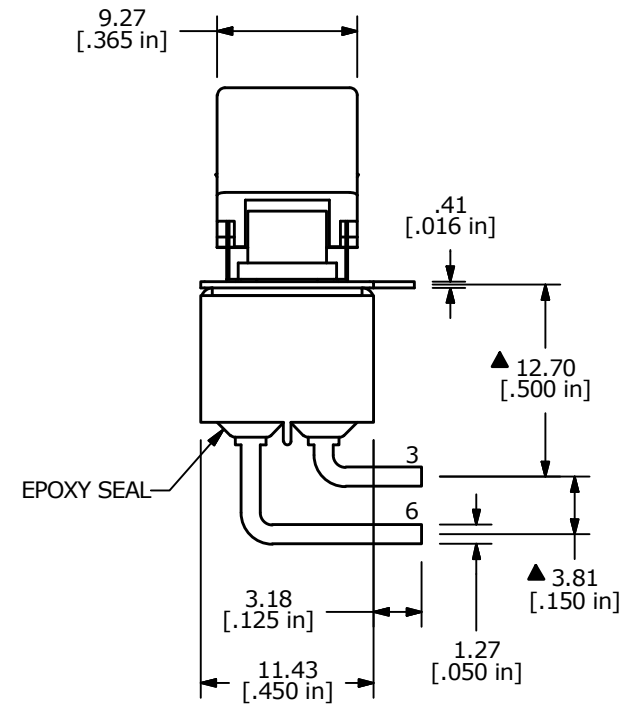
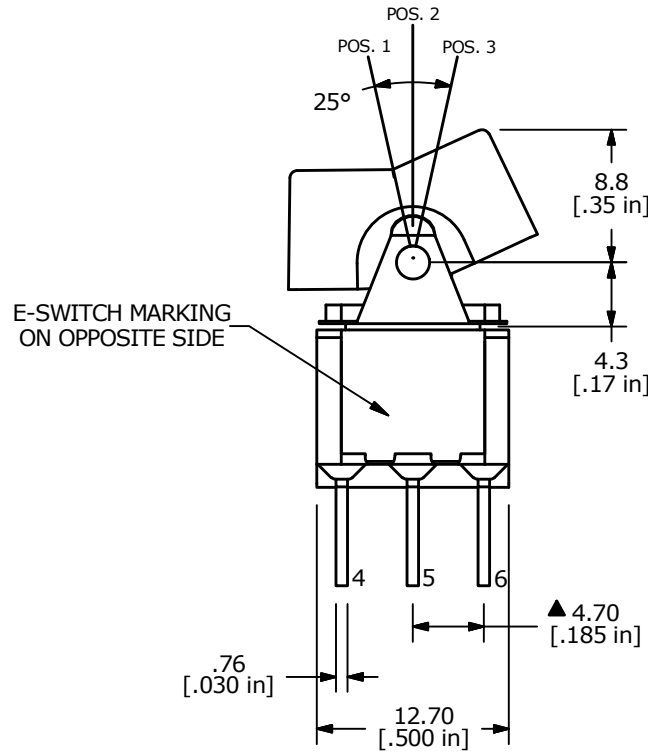


SWITCH FUNCTION		
POS. 1	POS. 2	POS. 3
ON	OFF	ON
2-3, 5-6	OPEN	2-1, 5-4



- NOTE:
1. ALL DIMENSIONS IN MM [INCH]
  2. GENERAL TOLERANCE: X.X=±0.4  
X.XX=±0.25
  3. TERMINAL NUMBERS FOR REF ONLY
  - ▲ 4. PLATING MATERIAL: SILVER
  5. RATING: 2 AMPS @ 250 VAC  
5 AMPS @ 120 VAC
  6. ELECTRIC LIFE: 40,000 MAKE-AND-BREAK CYCLES AT FULL LOAD.
  7. CONTACT RESISTANCE: 10 Mille-Ohms Max. INITIAL
  8. INSULATION RESISTANCE: 1,000 MEGA-OHM MIN.
  9. DIELECTRIC STRENGTH: 1,000 V RMS @SEA LEVEL.
  10. OPERATING TEMP.: -30°C to 85°C
  11. ▲ DENOTES CRITICAL PARAMETER.



B	23547	UPDATED DIM FROM 13.21 TO 12.70	8/29/18	MJR
A	17931	RELEASED FOR PRODUCTION	1/24/08	BLR
REV	PCR NO	DESCRIPTION	DATE	BY

TITLE 300DP3J1BLKM6QE				
SCALE 2:1	DATE 1/24/2008	DR BLR	DWG T323031	REV B

THE INFORMATION CONTAINED IN THIS DOCUMENT IS PROPRIETARY TO E-SWITCH AND IS NOT TO BE COPIED OR TRANSFERRED